

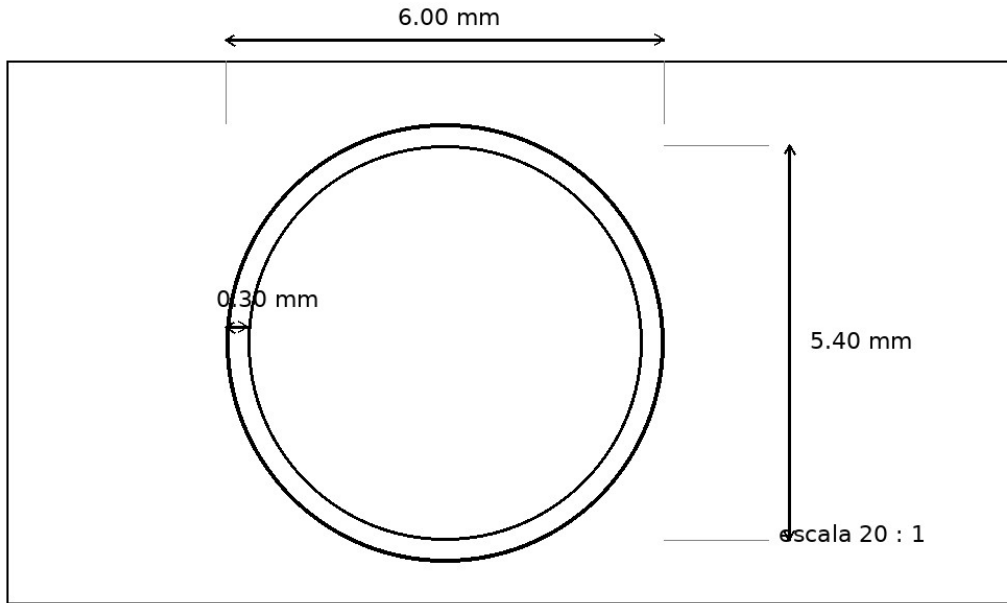


PIEZA

TUBO ACERO INOXIDABLE AISI-304 6,0 X 0,3 mm

PART

STAINLESS STEEL TUBE AISI-304 6,0 X 0,3 mm



|                                      |   |           |
|--------------------------------------|---|-----------|
| <b>ARTICULO</b>                      | TUBO INOX AISI-304 ..... 6,0 X 0,3 mm   |           |
| <b>ITEM</b>                          | INOX.TUBE AISI-304 ..... 6,0 X 0,3 mm   |           |
| <b>CARACTERISTICAS TECNICAS</b>      | <p>TUBO SOLDADO Y REESTIRADO CALIBRADO EXTERIOR E INTERIOR<br/> <math>\varnothing</math> EXTERIOR 6,0 <math>\pm</math> 0,015 / <math>\varnothing</math> INTERIOR 5,4 <math>\pm</math> 0,015 mm<br/> ACABADO : BRILLANTE<br/> TRATAMIENTO : DURO<br/> PESO Kg/Mts: 0,0424<br/> PRESION TRABAJO : 75 Kg / Cm2</p> |           |
| <b>TECHNICAL FEATURES</b>            | <p>WELDED AND REDRAWN TUBE CALIBRATED EXTERNAL AND INTERNAL<br/> <math>\varnothing</math> EXTERNAL 6,0 <math>\pm</math> 0,015 / <math>\varnothing</math> INTERNAL 5,4 <math>\pm</math> 0,015 mm<br/> FINISHING : BRIGHT<br/> TREATMENT : DURO<br/> WEIGHT Kg/m: 0,0424<br/> WORK PRESSURE : 75 Kg / Cm2</p>     |           |
| <b>OBSERVACIONES</b>                 | SUMINISTROS EN BARRAS DE 1,10 MTS   |           |
| <b>REMARKS</b>                       | LENGH 1,10 MTS  |           |
| <b>PLANO Nº</b><br><b>DRAWING Nº</b> | 041216-11   | <b>A4</b> |
| <b>REF. TUBO</b>                     | NEW-0600-300  |           |